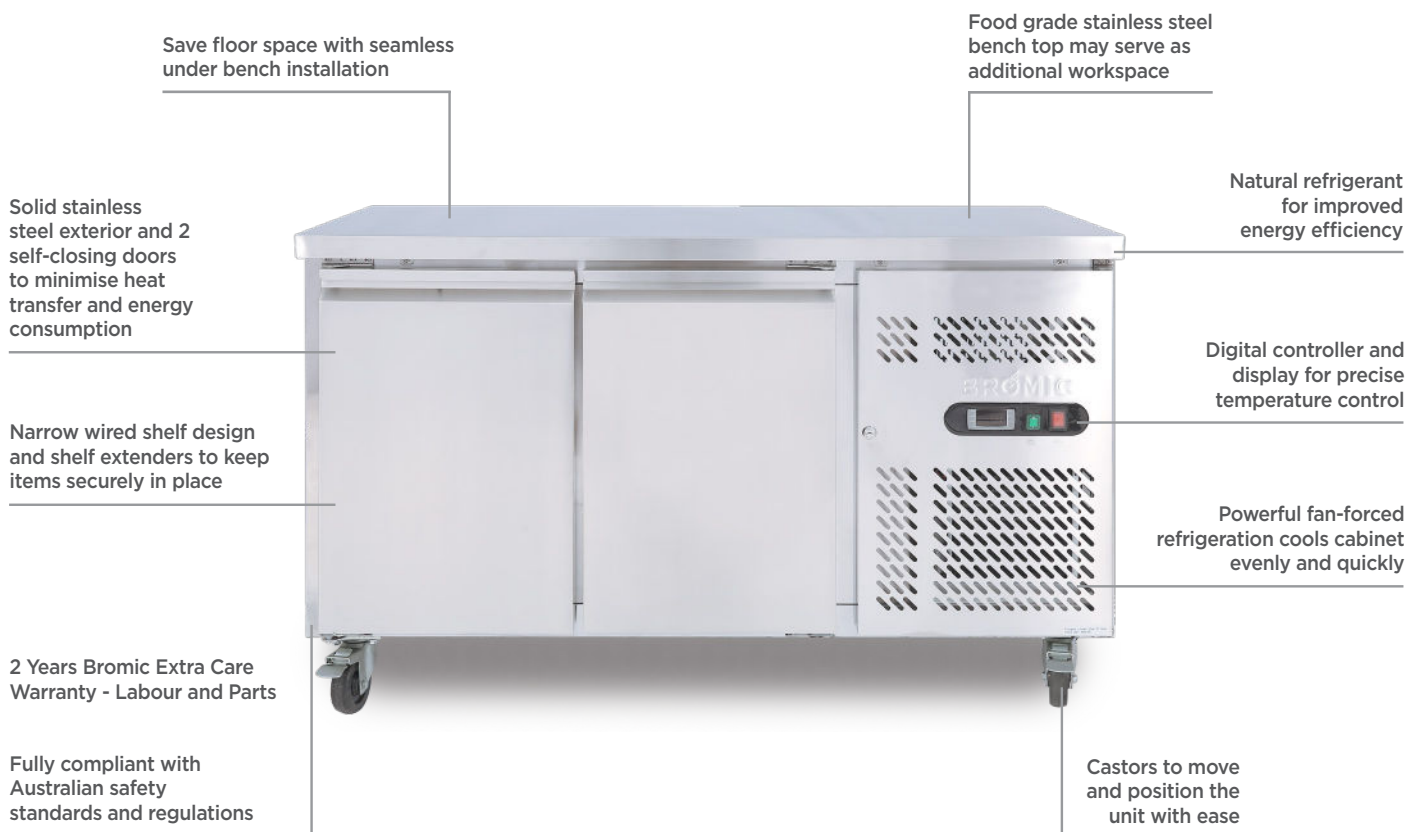


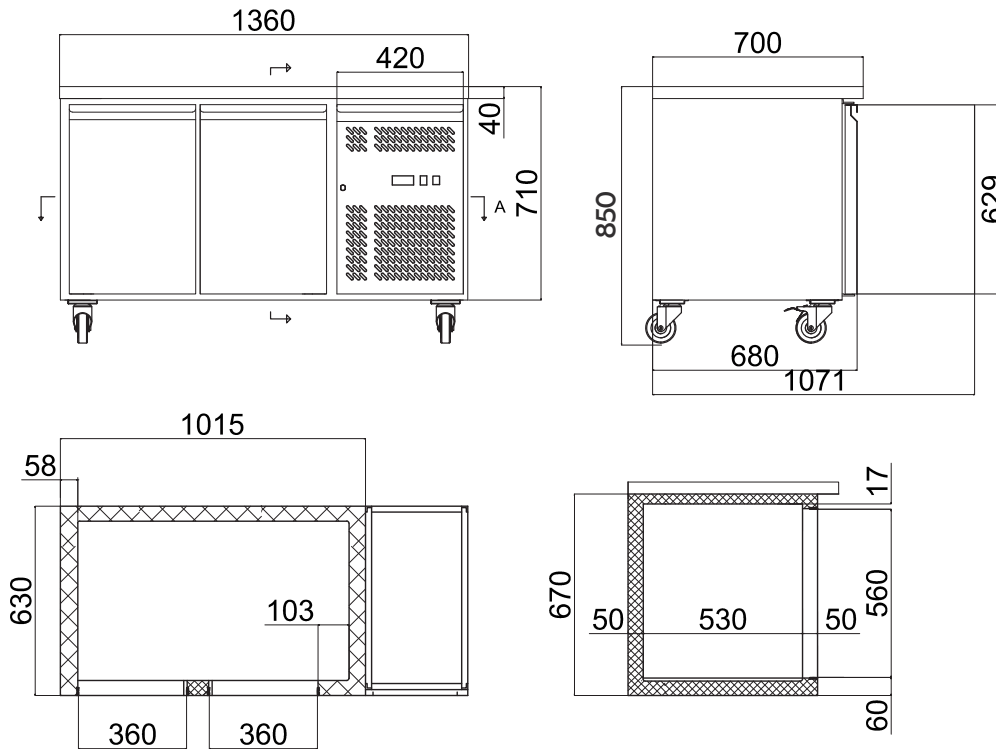
Under Bench Fridge 282L - 2 Doors - Stainless Steel

| Bar Fridges & Freezers



Under Bench Fridge 282L - 2 Doors - Stainless Steel

| Bar Fridges & Freezers



SPECIFICATIONS **DIMENSIONS**

Model Number	UBC1360SD-NR	Cord Length	2.5m	External (mm)	
Part Number	3735204-NR	Colour	Stainless Steel	Width	1360
Volume	282L	Internal Light	No	Depth	700
Unit Weight	110kg	No. of Doors	2	Height	850
Packaged Weight	115kg	Door Type	Solid	Internal (mm)	
Adjustable Temp. Range	+1°C to +5°C	Door Style	Hinged	Width	902
Max. Ambient Temp.	38°C	Door Lock	No	Depth	530
Climate Class	4M1	Self-Closing Door	Yes	Height	589
Energy Consumption	3.024kWh/24h	Door Swing Dimension	371mm	Packaged (mm)	
GEMS Star Rating	4 stars	Total Depth of Door Open	1071mm	Width	1390
Refrigeration Capacity	245W	No. of Shelf Tiers inc base	3	Depth	730
Refrigerant	R600a	Shelf Type	Adjustable	Height	910
Rated Current	2A	Shelves Dimensions	333(w) x 530(d) mm		
Electrical Voltage	220-240V	Temp. Controller	Digital		
Frequency	50Hz	Castors	Yes		
Power Supply	Single Phase	Warranty	2 Years Parts & Labour		
Power Plug	1 x 10A		Bromic Extra Care		
Plug Location	Bottom Right				