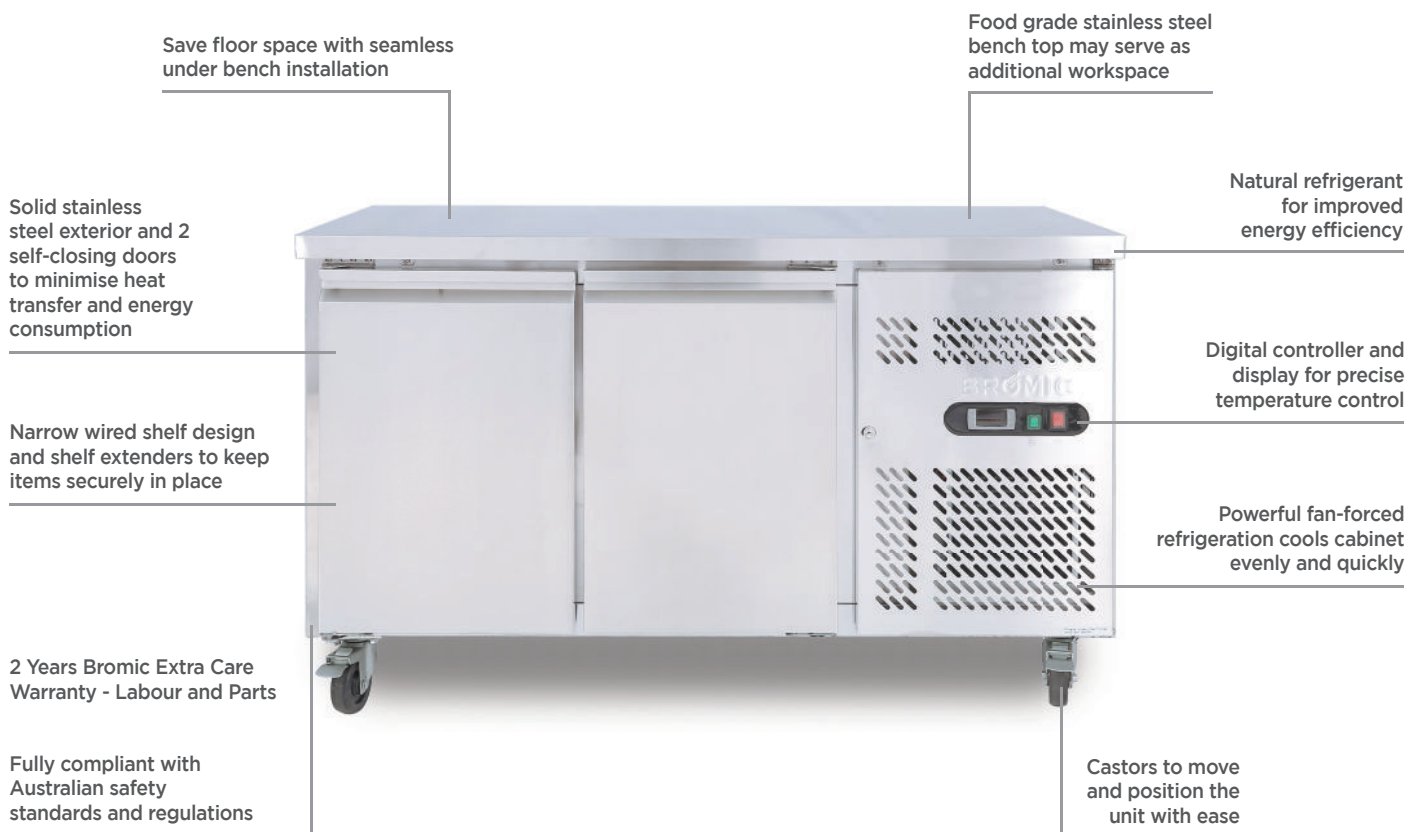


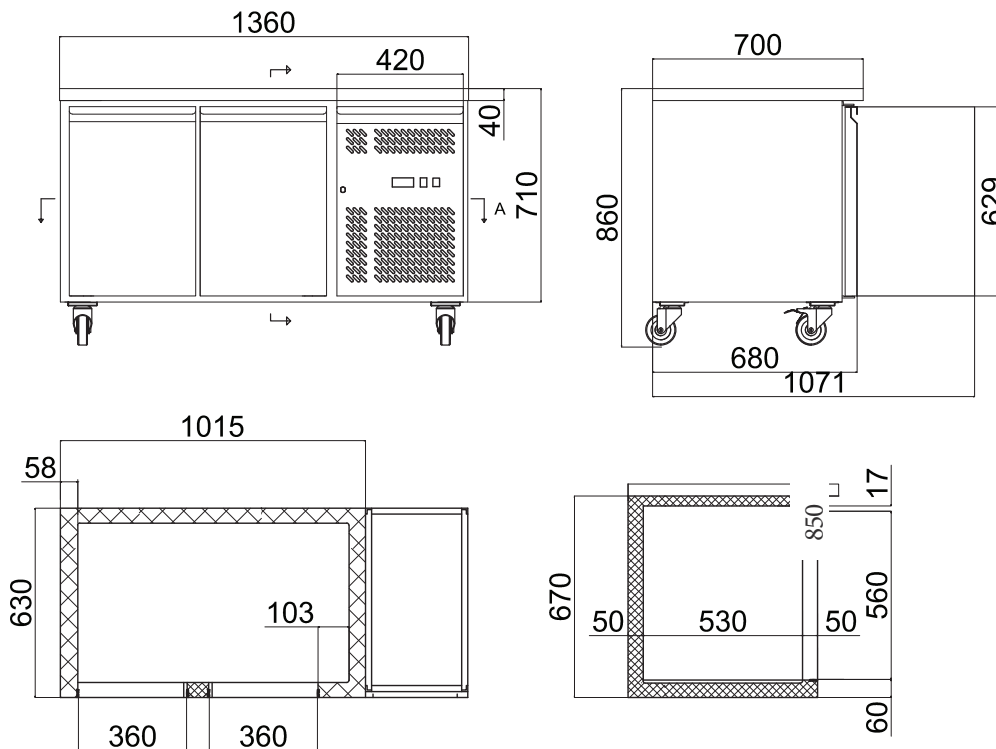
Under Bench Fridge 282L - 2 Doors - Stainless Steel

| Bar Fridges & Freezers



Under Bench Fridge 282L - 2 Doors - Stainless Steel

| Bar Fridges & Freezers



SPECIFICATIONS

Model Number	UBC1360SD-NR
Part Number	3735204-NR
Volume	282L
Unit Weight	110kg
Packaged Weight	115kg
Adjustable Temp. Range	+1°C to +5°C
Max. Ambient Temp.	38°C
Climate Class	4M1
Energy Consumption	3.024kWh/24h
GEMS Star Rating	4 stars
Refrigeration Capacity	245W
Refrigerant	R600a
Rated Current	2A
Electrical Voltage	220-240V
Frequency	50Hz
Power Supply	Single Phase
Power Plug	1 x 10A
Plug Location	Bottom Right

Cord Length	2.5m
Colour	Stainless Steel
Internal Light	No
No. of Doors	2
Door Type	Solid
Door Style	Hinged
Door Lock	No
Self-Closing Door	Yes
Door Swing Dimension	371mm
Total Depth of Door Open	1071mm
No. of Shelf Tiers inc base	3
Shelf Type	Adjustable
Shelves Dimensions	333(w) x 530(d) mm
Temp. Controller	Digital
Castors	Yes
Warranty	2 Years Parts & Labour Bromic Extra Care

DIMENSIONS

External (mm)	
Width	1360
Depth	700
Height	860
Internal (mm)	
Width	902
Depth	530
Height	589
Packaged (mm)	
Width	1390
Depth	730
Height	910